

Version 3.4 - November 2024 (11 pages)

# Spec Sheet Maestro XT

## MCM™



514 481-9191  
[www.mcmintegration.com](http://www.mcmintegration.com)





Several configurations available:

- Shared : partition in middle (50/50)  
Or off-center (33/66 volume repartition)
- Dedicated to one user: no partition

**NOTES**

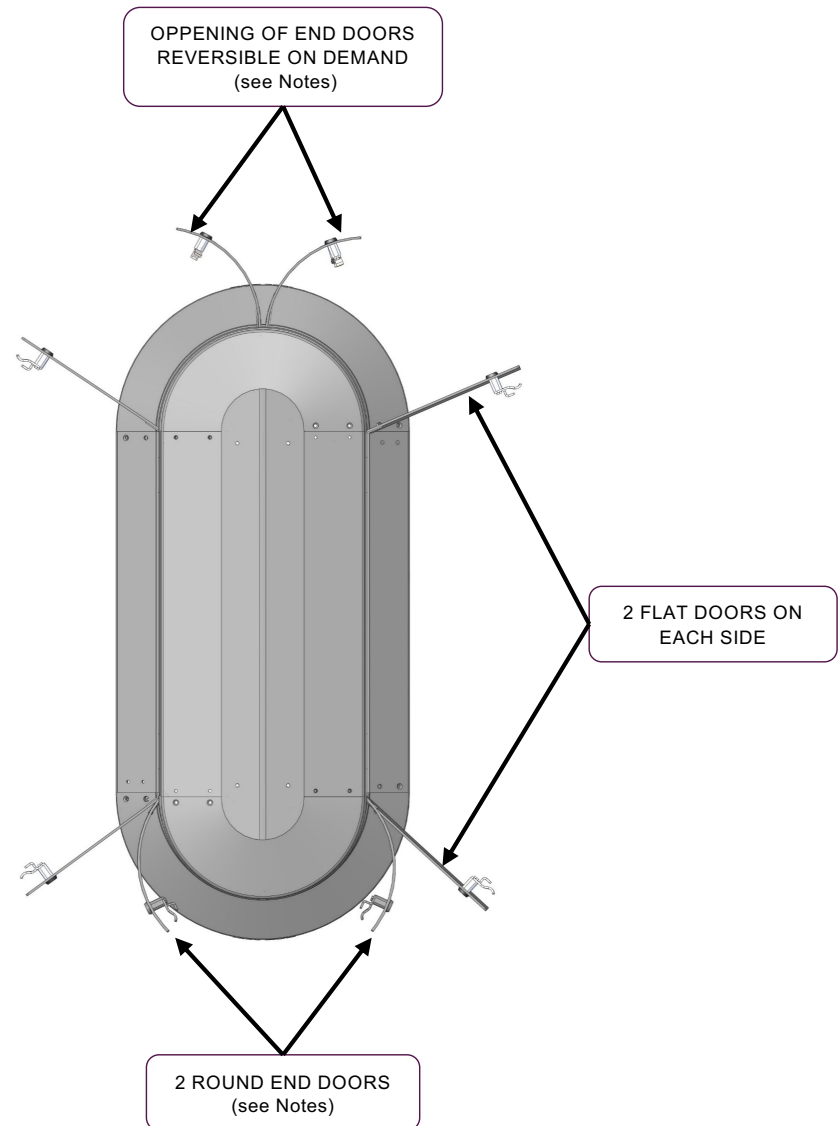
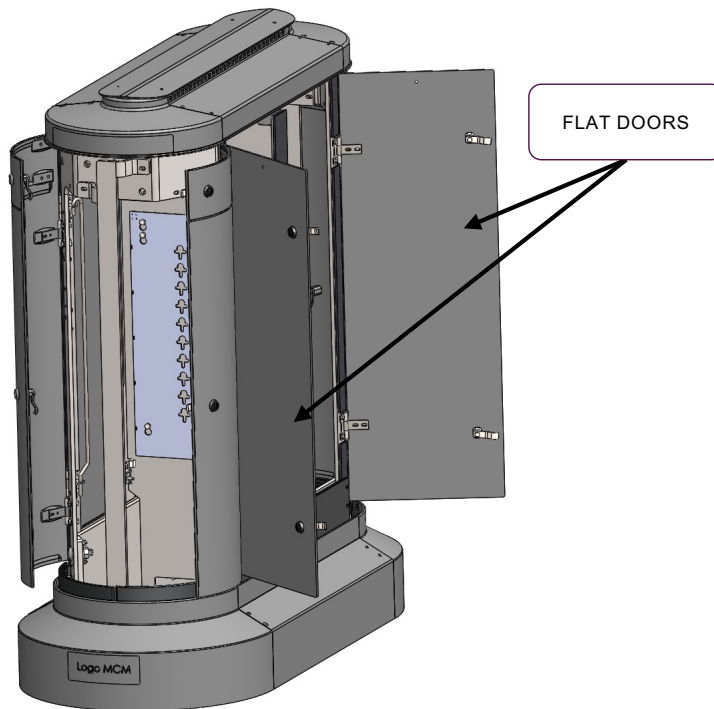
1. This specs sheet is generic for indication. The final product may differ somewhat from this document;
2. It is recommended to inform us about the specific usage of cabinet to get the proper characteristics adapted to actual usage;
3. Except if otherwise specified, all colors are textured (TX). Nonstandard colors are available upon request.

STANDARD COLORS : BL1-TX (Black); BG3-TX (Blue Green); VHQ1-TX (HQ Distribution Green) ; GX3-TX (Dark Grey) ; GX1-TX (Medium Grey).

SECTION SPECIFICATION				TO BE FILLED BY INSTALLER AND VERIFIED BY ENGINEER				
Qty	Base model	Series option		Internal partition position	Option for optic fibre	Code and name of color		Remarks
		Dedicated	Shared					
0	MAES-XT		Shared	50/50	/FO-C	GX1-TX	Medium Grey	

# Doors arrangement

Version XT : 8 doors  
and 360 deg. access

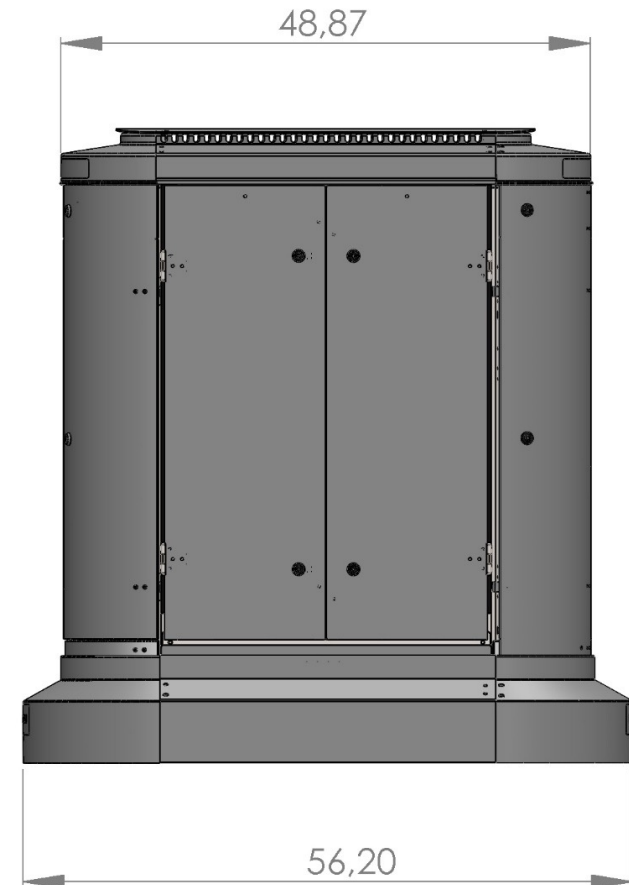
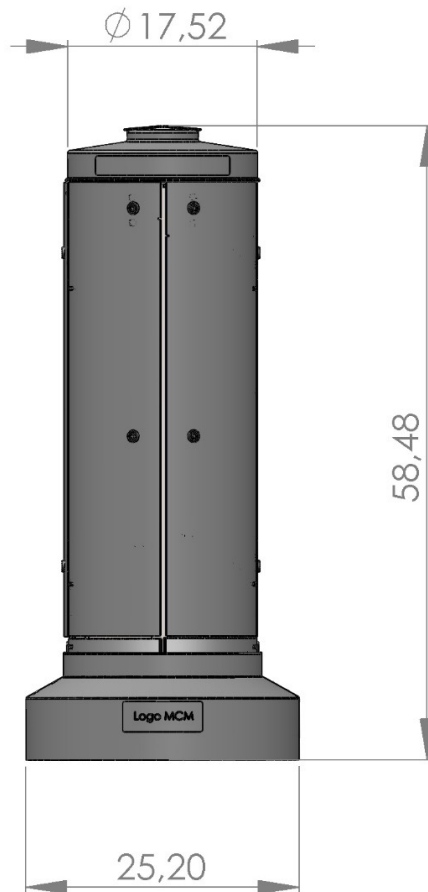


### NOTES :

End doors can be mounted inverted to ensure the access at 45 deg.

## Dimensions and weight

Total weight of the product : 275 kg (600 lbs) with seel structure and aluminium enveloppe

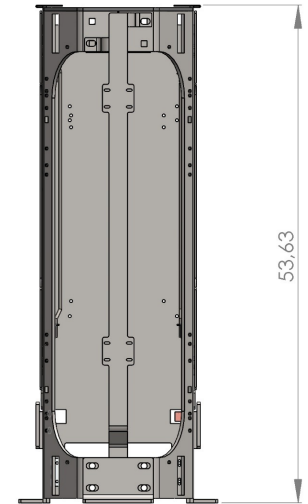
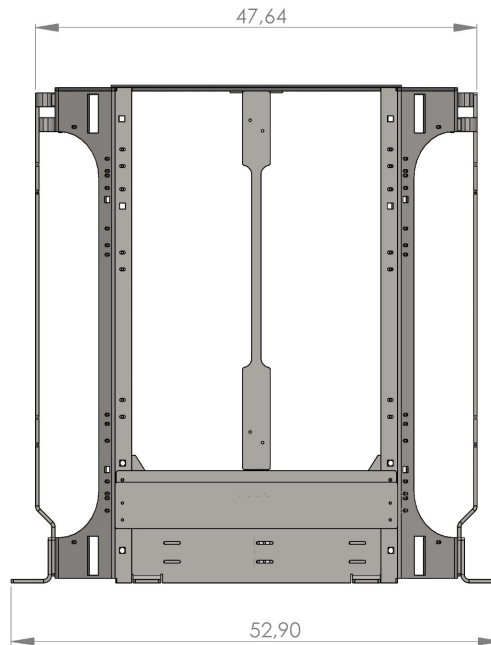
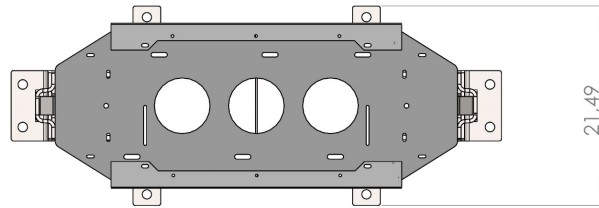
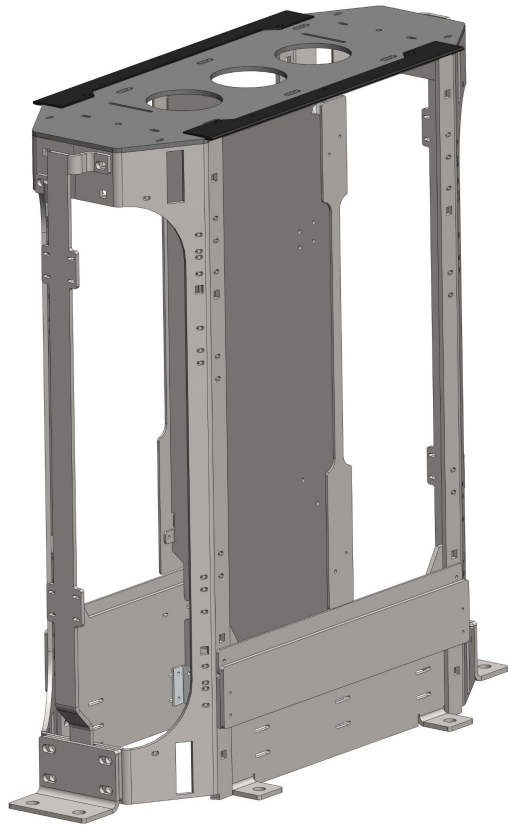


**NOTE :** Dimensions shown in inches

# Internal structure dimensions

# Spec Sheet Maestro XT MCM™

Version 3.4 - November 2024



**NOTE :**

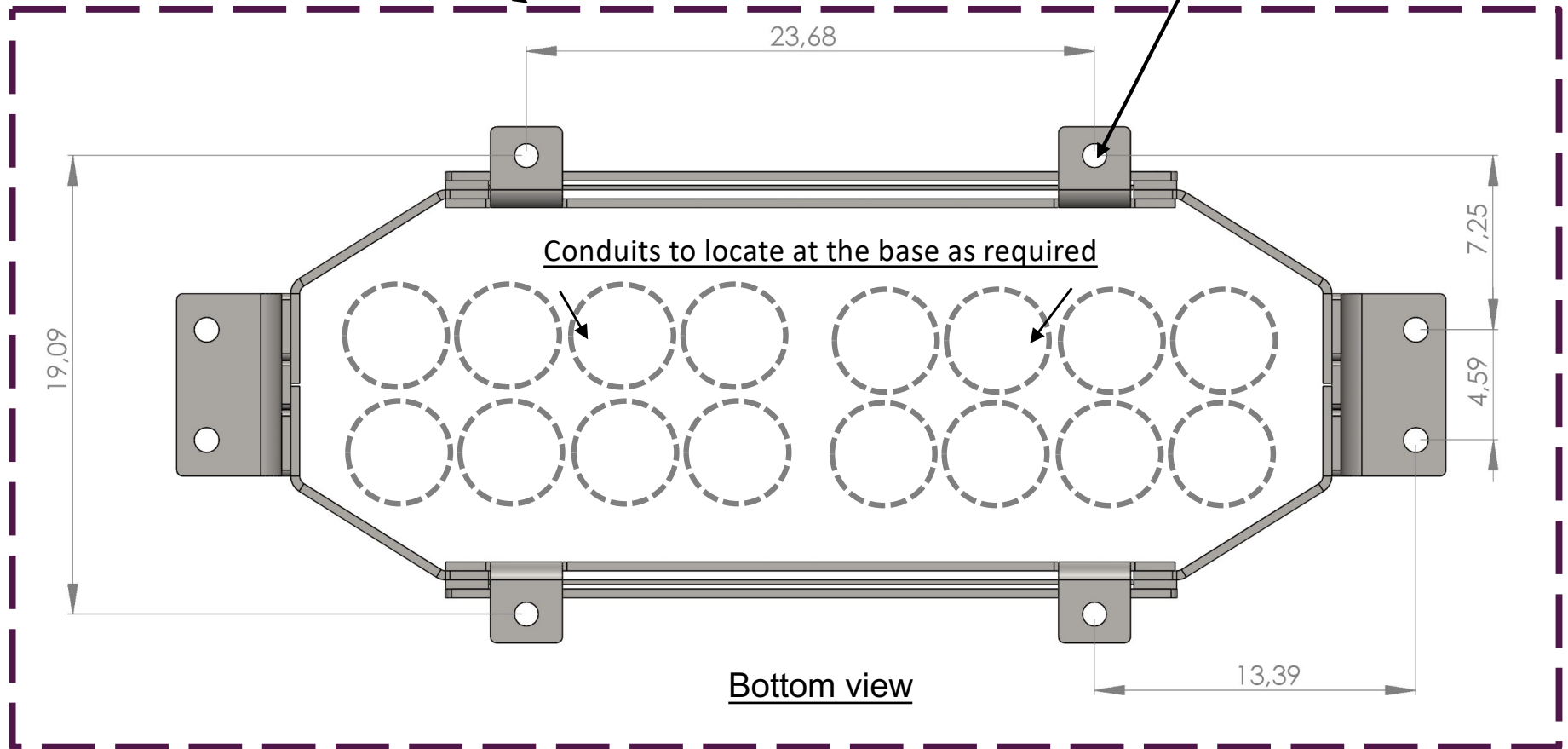
Shown here with a central removable partition  
Dimensions shown in inches



# Position of anchors

Concrete base (by others):  
Suggested approximate  
dimensions 3 pi. X 5 pi.  
(Please see notes on page 11)

8 Anchors :  
1" dia. Holes for  
5/8" dia. anchors



NOTE : Dimensions shown in inches

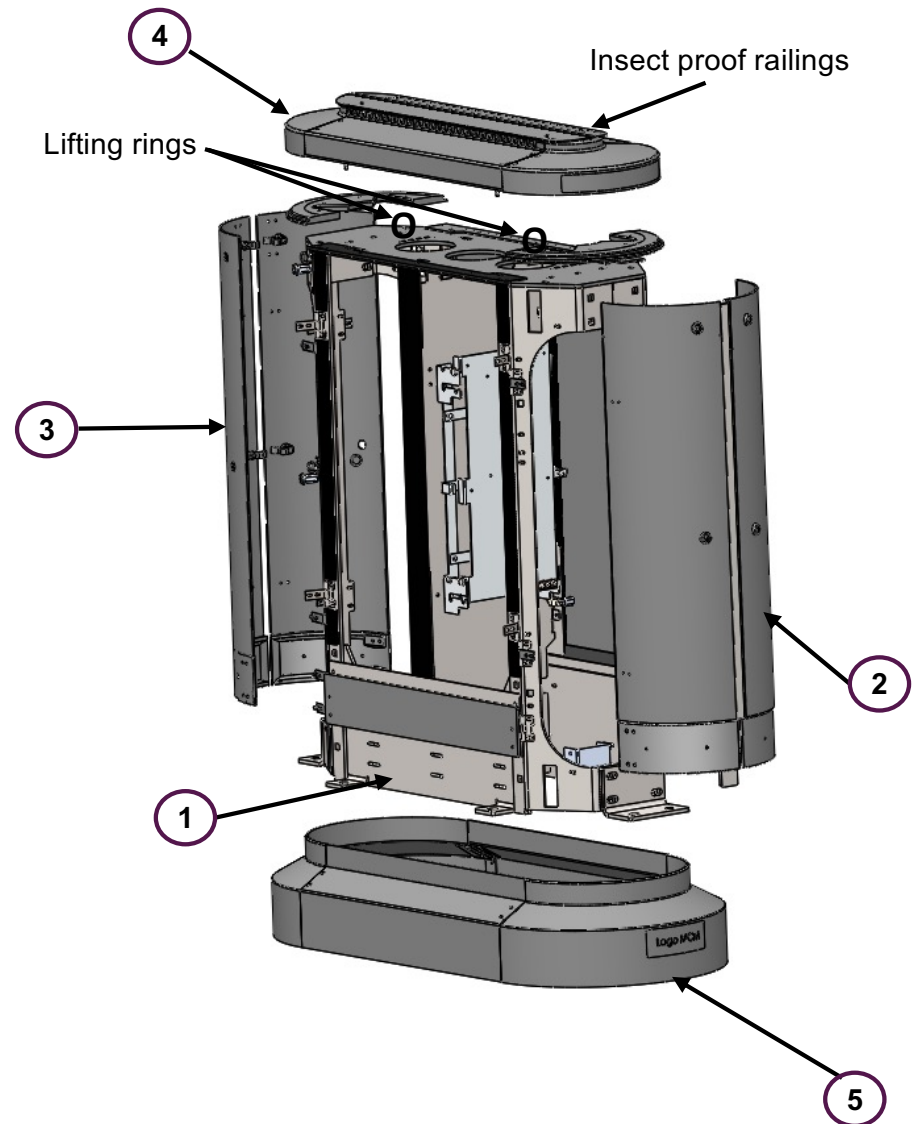


No Buble	Code	Description	Qty
1	A-MAES-100	Structure	1
2	A-MAES-301	End door left side	2
3	A-MAES-302	End door right side	2
4	A-MAES-400	Cover	1
5	A-MAES-500	Bumper	1

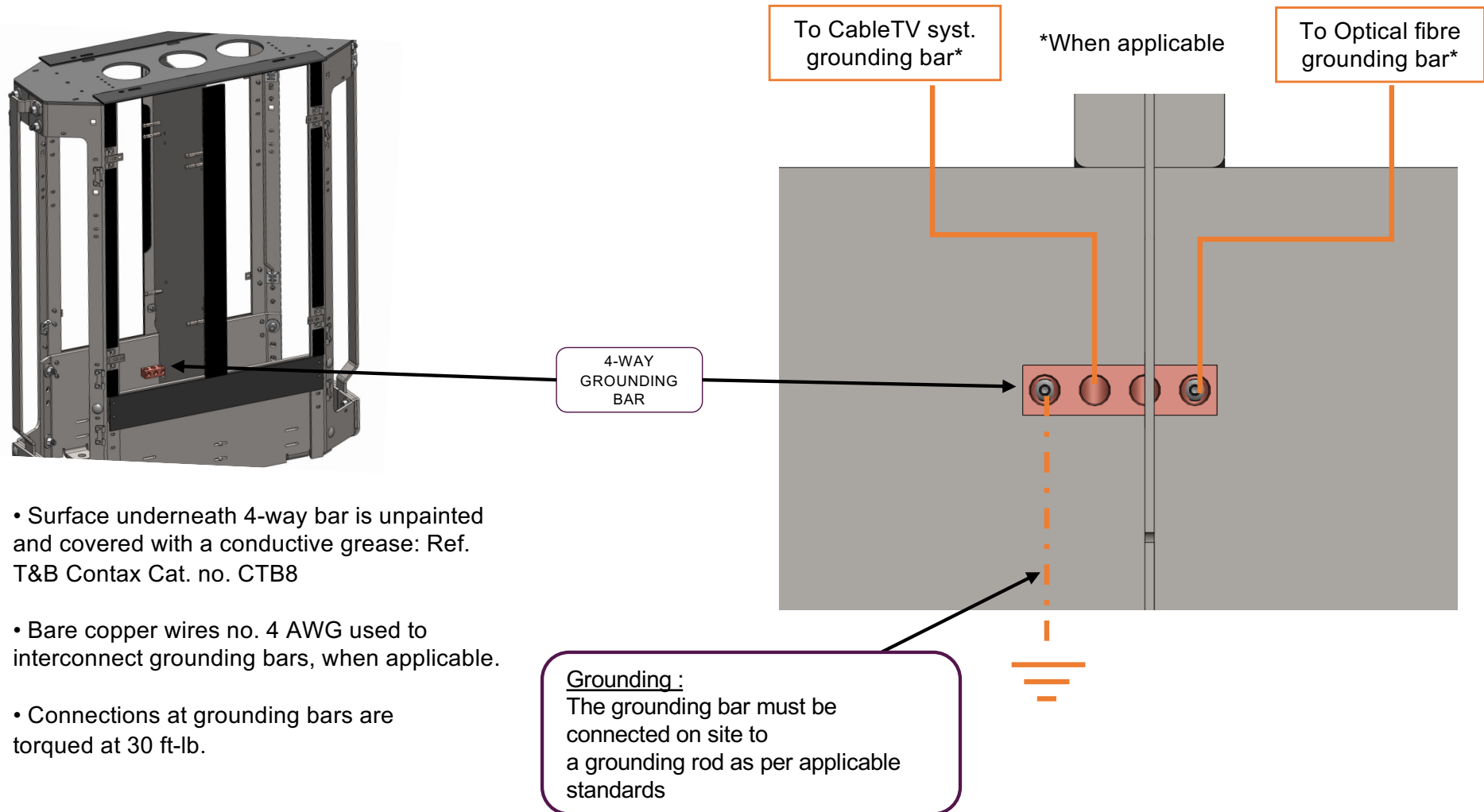
### Materials used :

- Envelope made of painted aluminum 3/16" thick;
- Structure of cabinet made of painted aluminum 3/8" thick \*;
- Accessories inside in stainless steel or aluminum;
- Stainless steel hardware, except if otherwise noted.

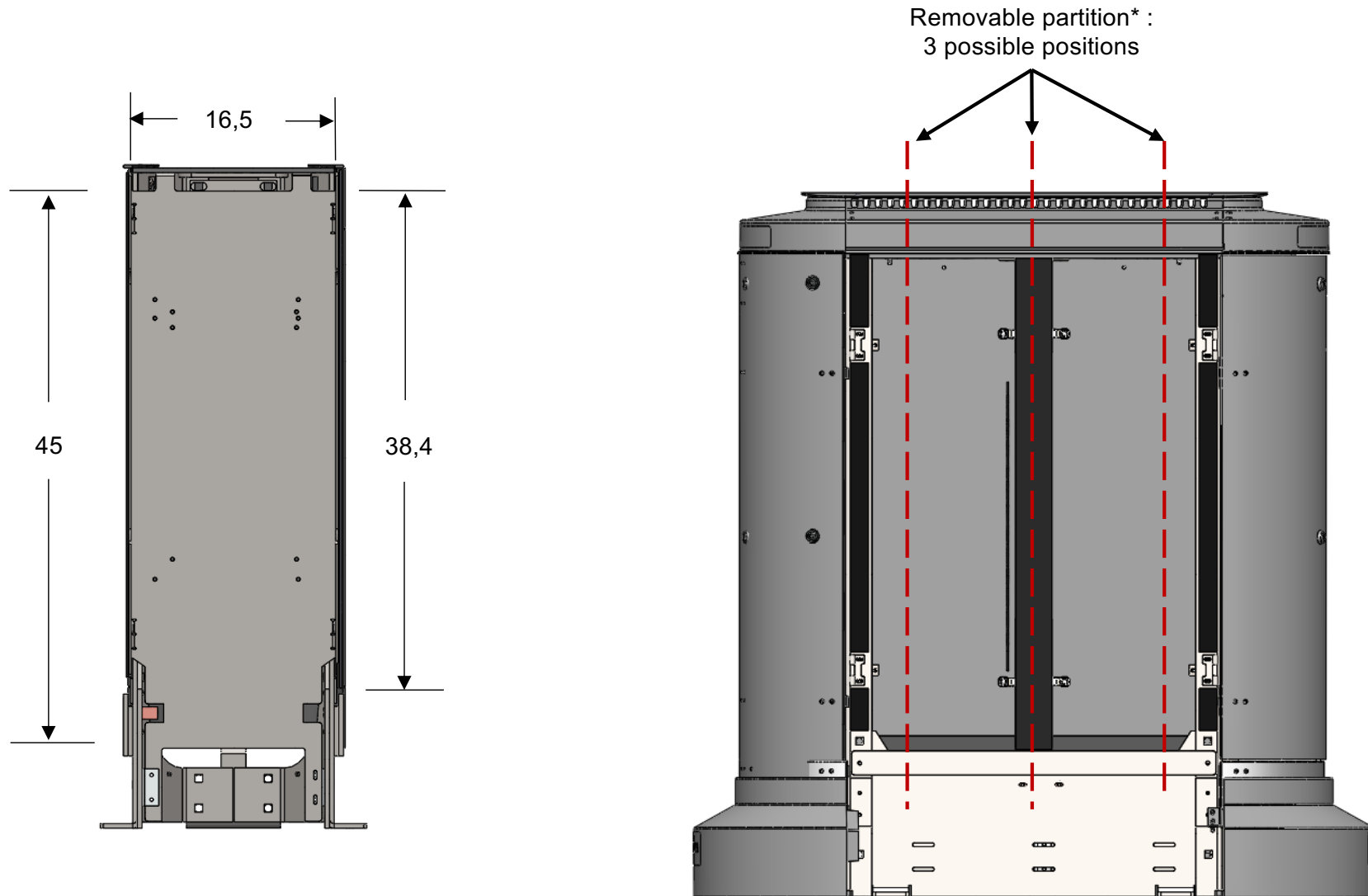
\* Painted steel structure on demands only (no charge)



# Grounding connection

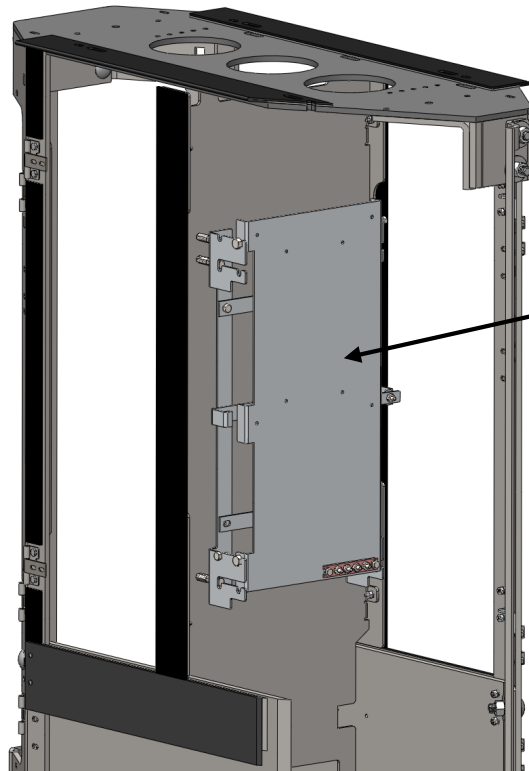


- Surface underneath 4-way bar is unpainted and covered with a conductive grease: Ref. T&B Contax Cat. no. CTB8
- Bare copper wires no. 4 AWG used to interconnect grounding bars, when applicable.
- Connections at grounding bars are torqued at 30 ft-lb.



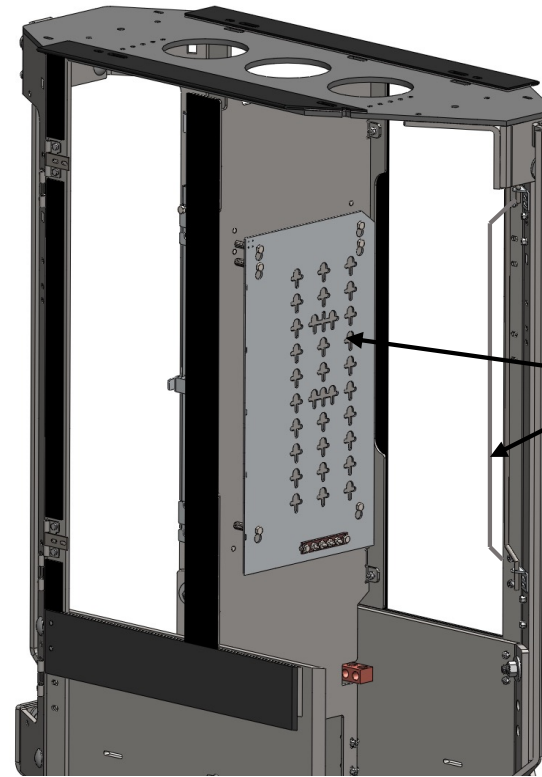
**NOTES :**  
Removable partition is for the shared structure only  
Dimensions are shown in inches

## Optional supports for T/C (here in shared application)



Support fibre module:  
Normalized THCP  
mounting plate  
(Optical Fibre option)

### Optical fibre



Support cableTV  
Module normalized  
Comes with two  
Vertical rods 5/16"  
dia. (CableTV option)

### CableTV



**NOTE :**

Supports for T/C are optional and must be specified when ordering.

### Installation on concrete base :

Installation of cabinet on a concrete pad or on a concrete base must be as specified by the civil engineer of the client. The concrete base is NOT included in the price of the cabinet, and the dimensions of base shown are for indication.

#### **IMPORTANT :**

All engineering, including final dimensions of concrete base, as well as the required works to install and ground structure of cabinet remain the entire responsibility of client. MCM, the designer, the authorized distributor and manufacturer decline individually and collectively any responsibility regarding the installation of cabinet.

For suggested dimensions of concrete base and positioning of anchors, refer to detail on page 6.

