

MCM Dedicated Cabinet and Sub-bases

Specification sheet CD1, SC1 and SC2



Standards colors : BL1-TX (Black); BG3-TX (Blue green); FG2-TX (Forest green); OG1-TX (Olive green); JD2-TX (Jade green); BR1-TX (Bronze).
Note: All paints are Super Durable and textured (TX)

SECTION SPECIFICATION ----- TO BE COMPLETED BY INSTALLER AND VERIFIED BY ENGINEER					
Qty	Model and options		Code and colour		Remarks
Example:	0	CD-1 or SC1 or SC2	Neutral	BL1-TX	Textured black Special labels

To contact us or for more information about our product, visit www.mcmstructures.com

Specification sheet CD1, SC1 and SC2

CD1 with SC1

Characteristics

	Cabinet	Sub-base	Remarks
Height :	975 mm	775 mm	Assembled overall height: 1673 mm
Weight :	32,28 kg	50,70 kg	(thickness)
Material :	Aluminium 3 mm	Steel 6 mm	Zinc primer and powder coat
Finish :	Choice of colour	Grey	



CD1 with SC2

Characteristics

	Cabinet	Sub-base	Remarks
Height :	975 mm	1350 mm	Assembled overall height: 2248 mm
Weight :	32,28 kg	66,02 kg	(thickness)
Material :	Aluminium 3 mm	Steel 6 mm	Zinc primer and powder coat
Finish :	Choice of colour	Grey	

MCM Dedicated Cabinet and Sub-bases

Specification sheet CD1, SC1 and SC2 / Components

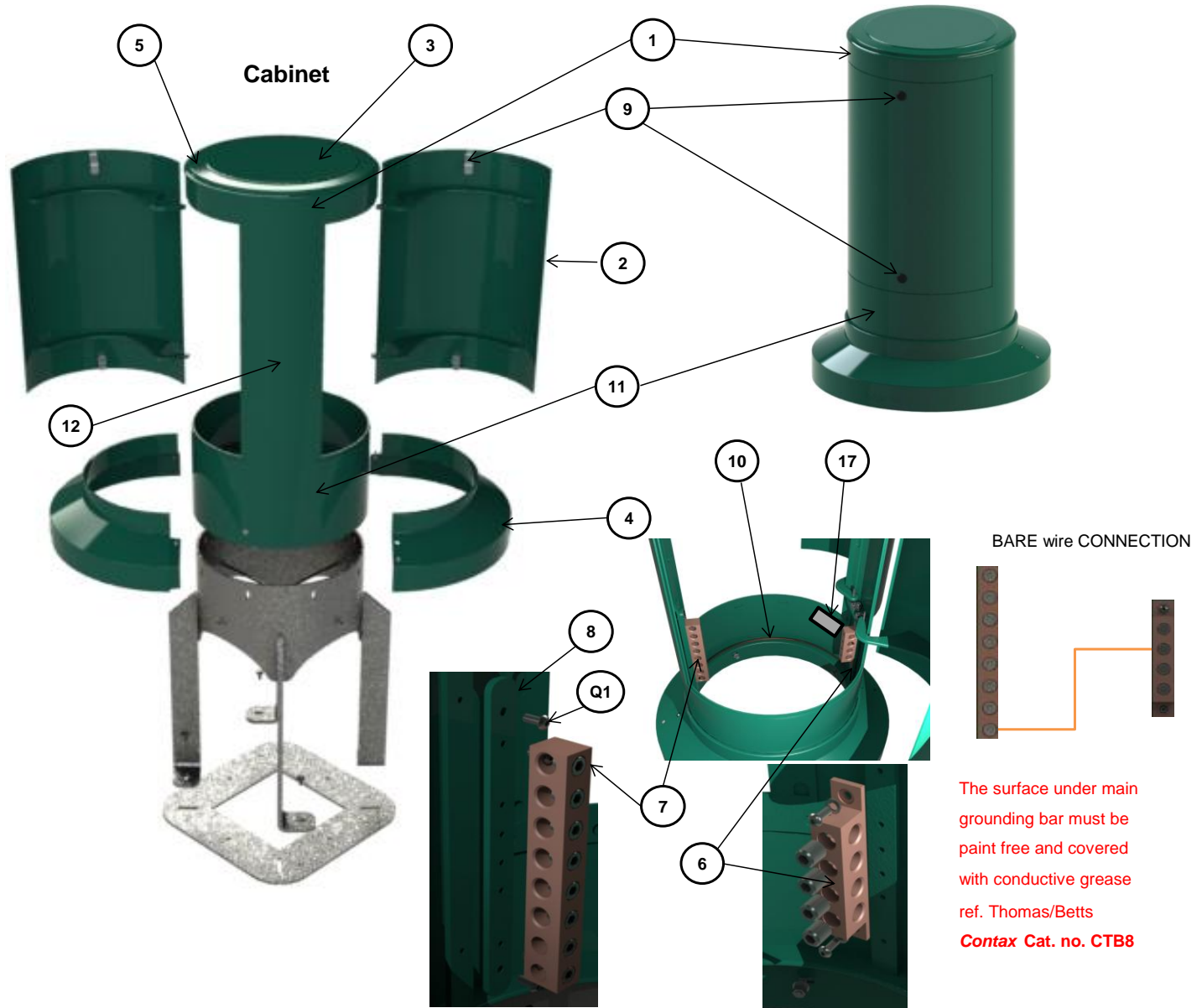
Item	Description	Qty	Number
1	Cabinet body	1	P-5021
2	Door	2	A-5001
3	Top cover	1	P-5006
4	Bumpers (2 halves assembled)	1	P-1058b
5	Interface plates (2 halves assembly)	1	P-1008
6	Main solid copper grounding bar 4 terminals (shouldered)	1	CDI-2006
7	Neutral solid copper bar 8 terminals (OPTION)	1	MCM-2000
8	Neutral bar removable bracket	1	P-5012
9	Electrical section lock option MCM-C1	4	MCM-1005
10	Neutral to ground connection wire	1	Bare no. 4 AWG wire (36")
13	Long hinge	2	A-5003
14	Short hinge	2	A-5004
15	Short Sub-base		SC-1
16	Long Sub-base		SC-2
17	Grounding connection label (Cabinet)	1	MCM-7206
18	Finished ground level label (Sub-base)	2	MCM-7011
19	ADN label (Cabinet)	1	MCM-7012
20	ADN label (Sub-base)	1	MCM-7013
21	HQ optional label (logo)	2	Supplied by HQ
22	HQ optional label (warning)	2	Supplied by HQ

MCM Dedicated Cabinet and Sub-bases

Specification sheet CD1, SC1 and SC2 / Hardware

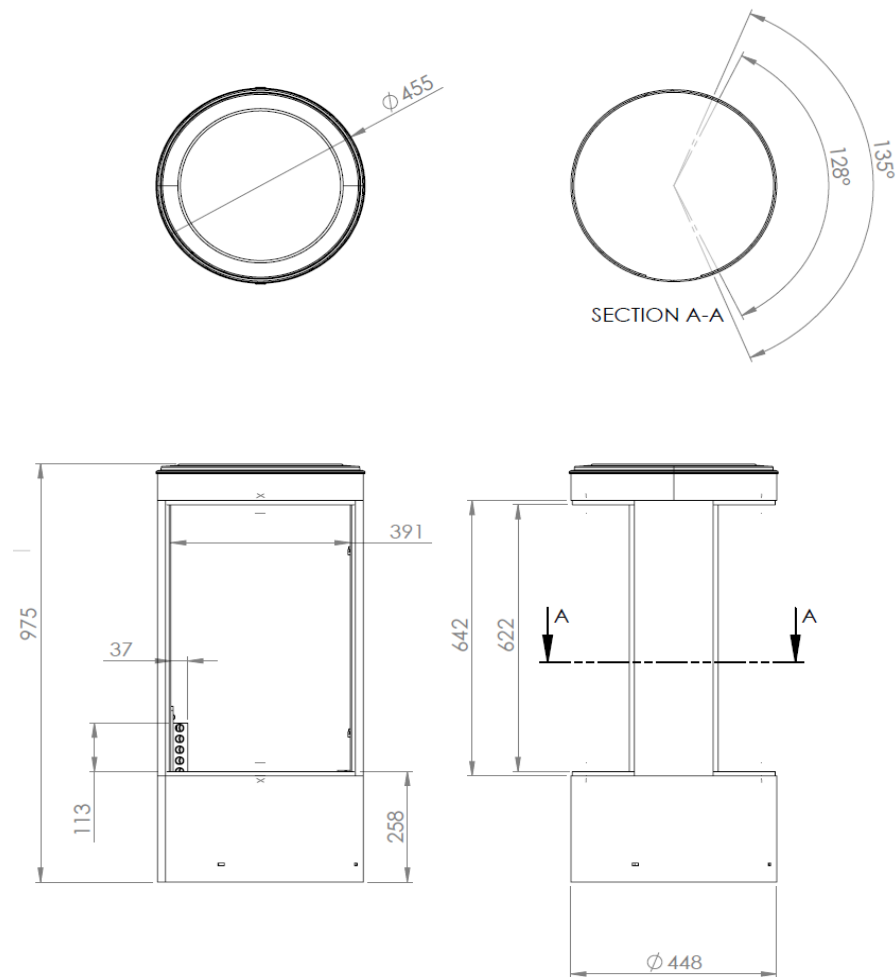
Item	Description	Qty	Number
Q1	Button head cap screw 1/4-20 x 5/8"	2	
Q2	Long hinge rod	2	P-5016-1
Q3	Short hinge rod	2	P-5017-1
Q4	Washer 1/4"	4	Galvanized steel
Q5	Socket head cap screw 1/4-20 X 1/2	8	Galvanized steel
Q6	Door support	4	P-5015-2
Q7	Hex bolt 3/8-16 X 1.5"	4	Galvanized steel
Q8	Washer 3/8"	4	Galvanized steel
Q9	Carriage bolt 1/4-20 x 1"	4	Stainless steel
Q10	Washer 1/4"	4	Stainless steel
Q11	Spring lock washer 1/4"	4	Stainless steel
Q12	Nut 1/4-20	4	Stainless steel
Q13	Threaded rod 3/8-16 x 18.25"	2	Stainless steel
Q14	Washer 3/8"	4	Stainless steel
Q15	Nut 3/8-16	4	Stainless steel
Q16	Nut 3/8-16	4	Galvanized steel

Specification sheet CD1, SC1 and SC2 / Components



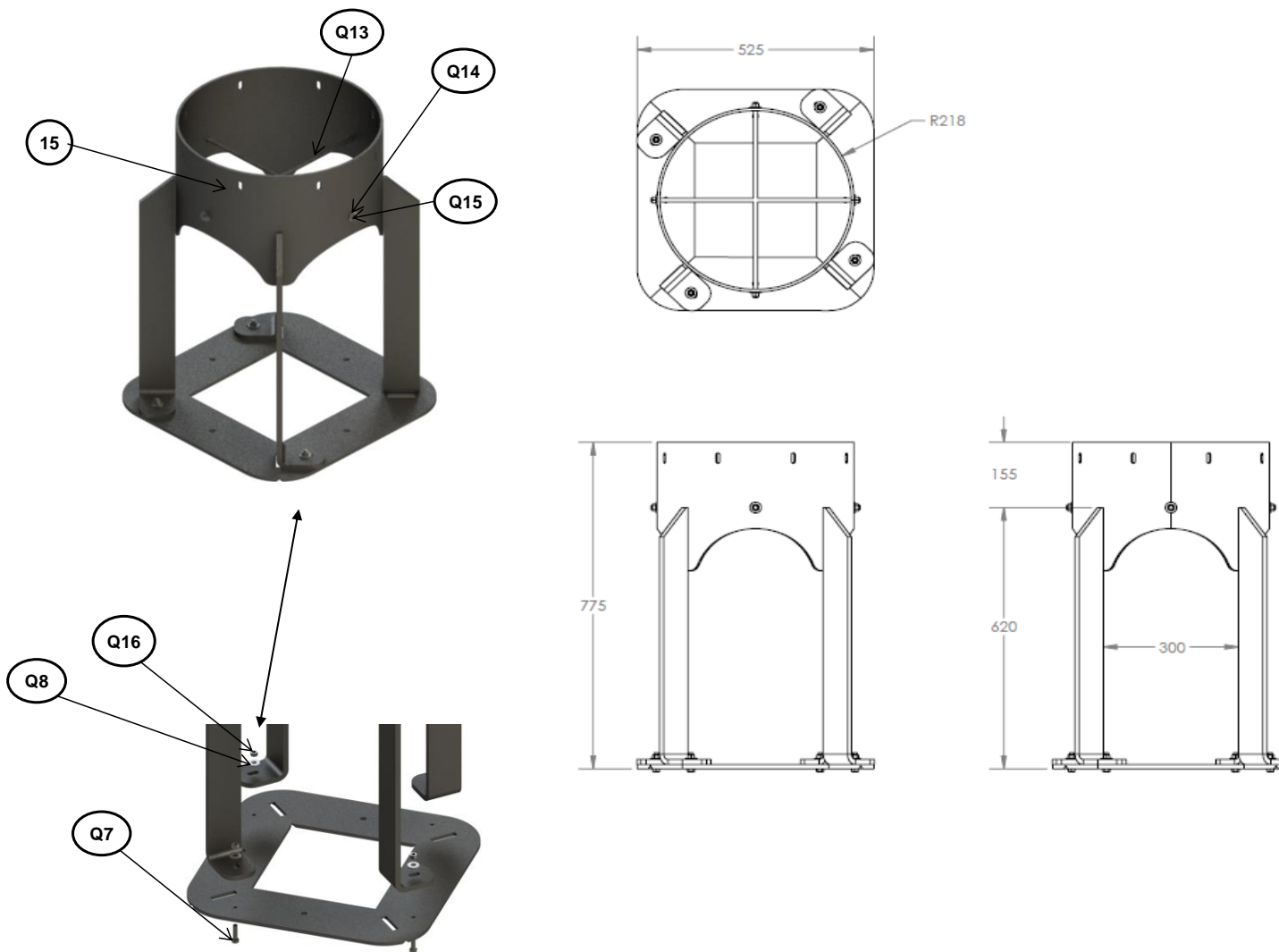
MCM Dedicated Cabinet and Sub-bases

Specification sheet CD1, SC1 and SC2 / Dimensional

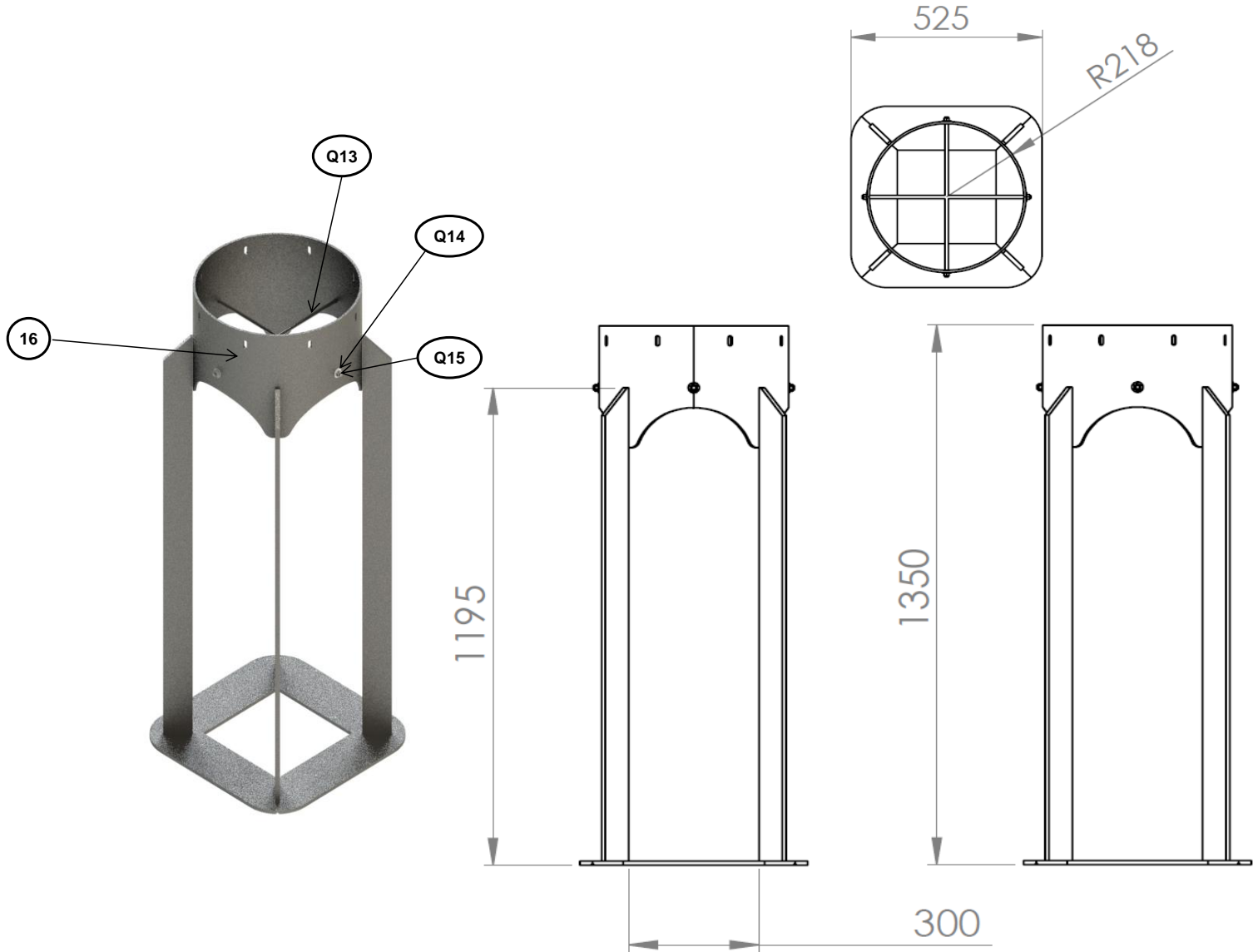


MCM Dedicated Cabinet and Sub-bases

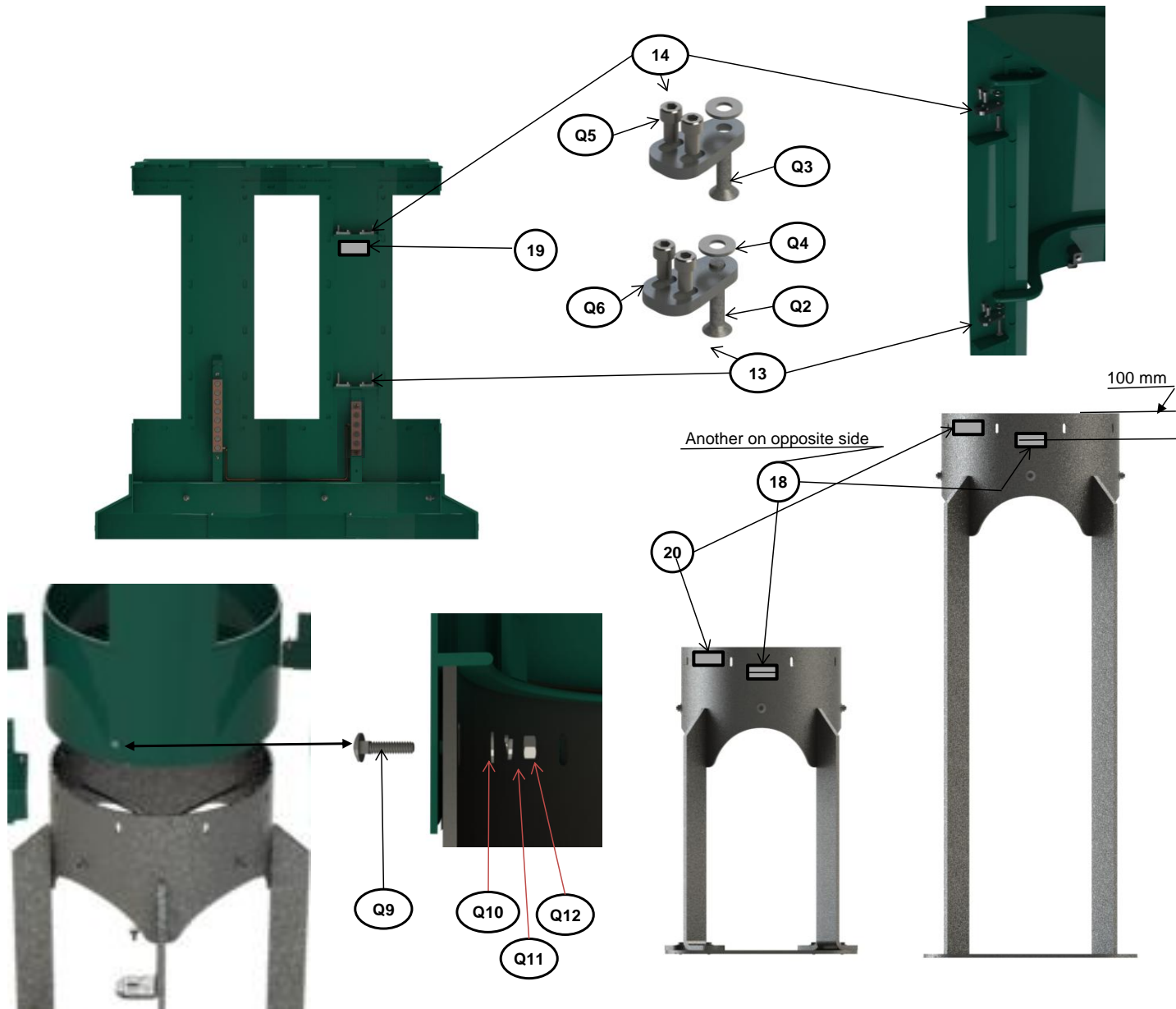
Specification sheet SC1 (Short sub-base)



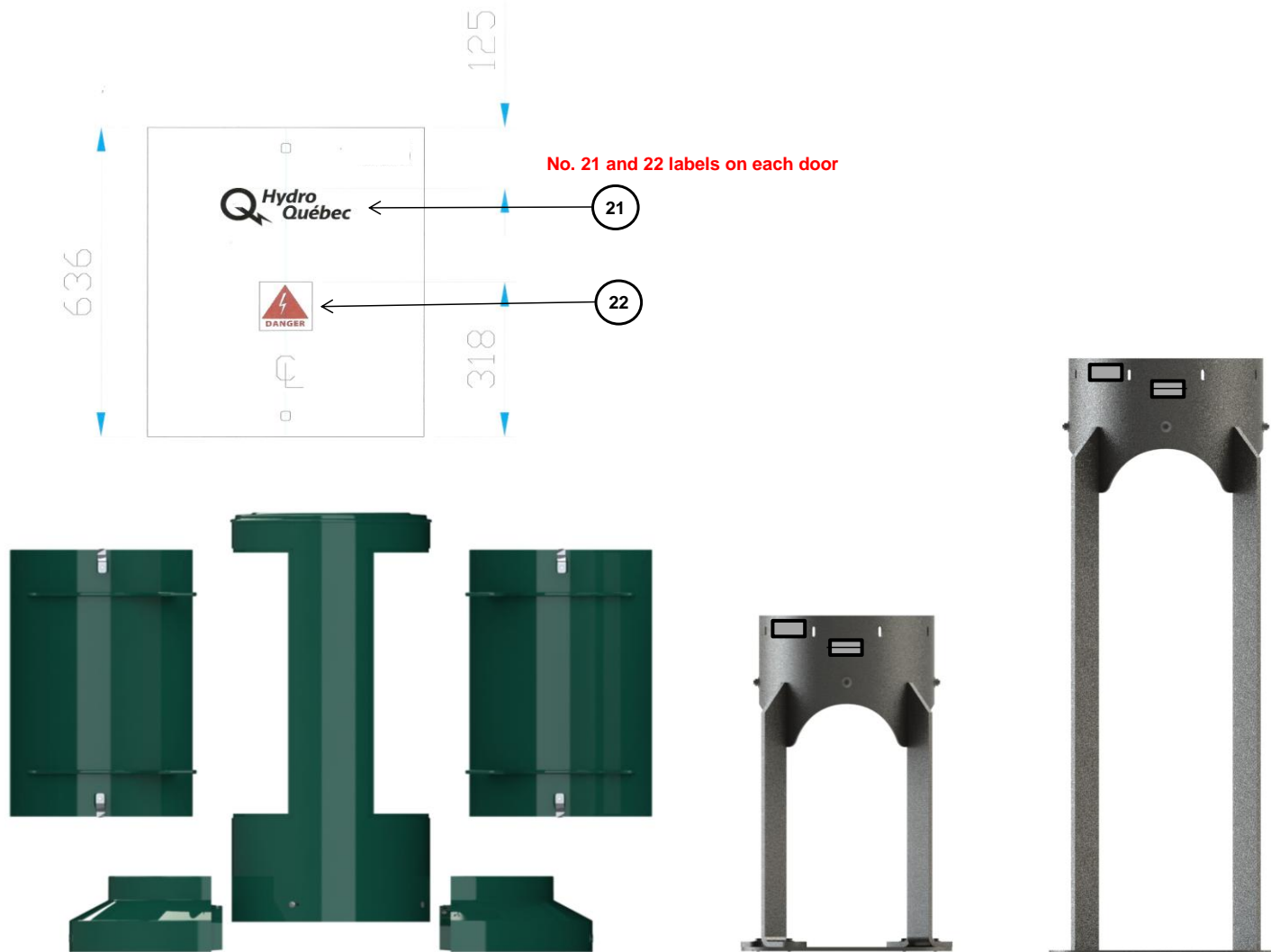
MCM Dedicated Cabinet and Sub-bases Specification sheet SC2 (long sub-base)



© All rights reserved MCM Structures 2014. TM: Trademark used by MCM Structures. This specifications sheet may differ from actual products on certain aspects and is subject to change without prior notice.



HQ Optional labeling



MCM Dedicated Cabinet and Sub-bases

Quality control

Cabinet

		OK (Internal)	OK (External)
Colour	GREEN DISTRIBUTION MCM Code = VHQ-01-TX		
Paint thickness	Average of 5 measures: 0,005 to 0,007 in		
Door fit	Acceptable		
Locks (4)	Locks and allows doors to open		
Standard labels (2)	Grounding connection and Serial number		
Optional labels (4)	Logo and Warning		
Neutral to ground wire connection (optional)			
Hardware	4 Bolts and nuts inside bag (fixed to cabinet)		

SC-1 et SC-2

		OK (Internal)	OK (External)
Paint thickness	Average of 5 measures: 0,005 to 0,007 in		
Hardware	2 long rods with nuts		
Labels	ADN and finished ground level (2)		

Internal verification	External verification
Name:	Name:
Firm:	Firm:
Signature:	Signature:
Date:	Date: