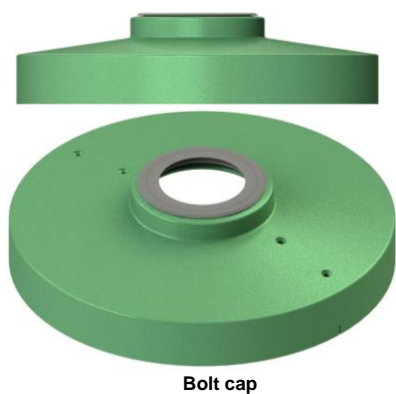
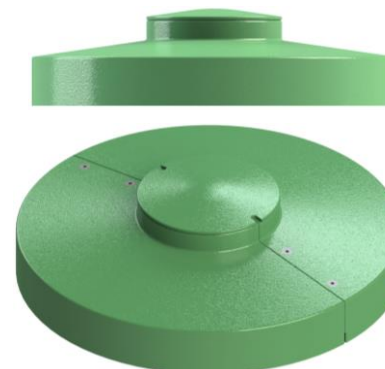


MCM™ Bolt cap / Decorative cap
Specification sheet CBX1
« Modern » Style



Bolt cap



Decorative cap with optional screwed cover

Standards colors : **BL1-TX** (Black); **BG3-TX** (Blue green); **FG2-TX** (Forest green); **OG1-TX** (Olive green); **JD2-TX** (Jade green); **BR1-TX** (Bronze).

Note: All paints are textured (TX)

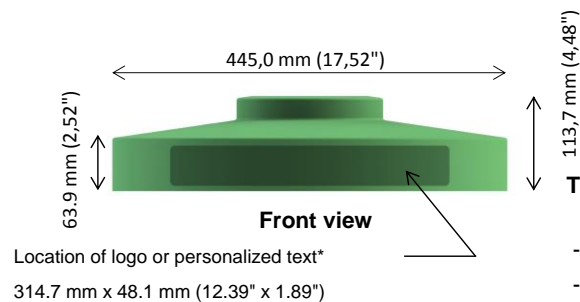
SECTION SPECIFICATION ----- TO BE COMPLETED BY INSTALLER AND VERIFIED BY ENGINEER					
Qty	Model and options		Code & colour		Remarks
Example:	0	CBX1	BL1-TX	Textured black	Decorative cap and lettering

To contact us or for more information about our product, visit www.mcmintegration.com

MCM™ Bolt cap / Decorative cap

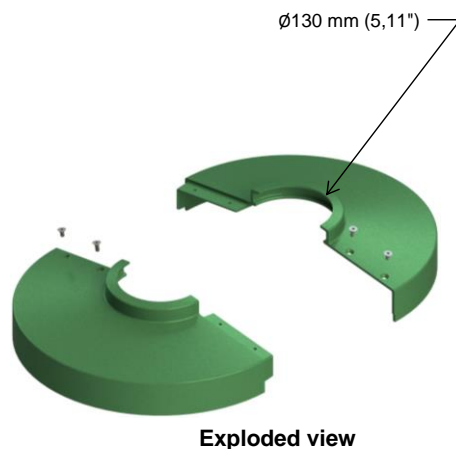
Specification sheet CBX1 / General

Bolt cap characteristics



The MCM Bolt cap consists of the following components :

- Two (2) painted aluminium half-cylinders assemble around the top part of an existing base;
- Two (2) stainless steel screws 1/4-20;
- One (1) optional painted aluminium screwed cover, transforming the bolt cap into a decorative cap.



Overall dimensions of bolt cap :

Height: 262,5 mm (10,33") hors tout ; Dia.: 446,5 mm (17,57").

Weight: 5,1 kg (11,25 lbs).

Materials: Aluminium 4.76 mm (3/16") Screws: Stainless steel

Finish: Epoxy primer and a super durable polyester finish
either textured or smooth, (res.: 2000 hres) choice of colours
Logo or personalnalized text available on demand (Extra cost applies)

Installation: The two halves are placed on the existing base and interlocked together.
The two halves are screwed together by four screws.
The cover is screwed in place by hand.

Notes : Max. lamp post diameter: 127 mm (5")

See our website for more technical information:

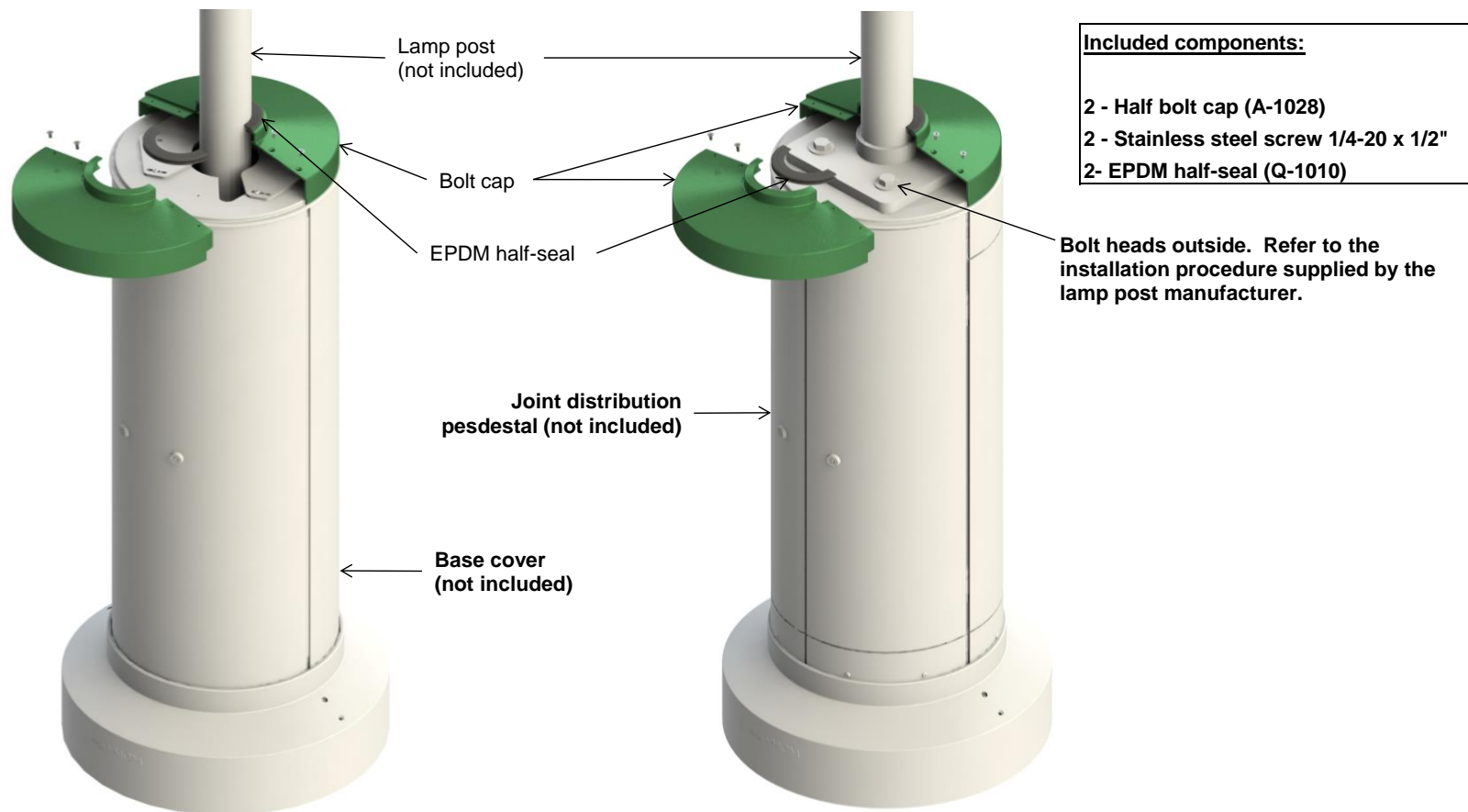
<http://www.mcmintegration.com/en/documentation/>

*Optional insert, order separately
Send the required model to MCM Structures.

MCM Integration 8585, boul. St-Laurent, office 220, Montreal, QC, H2P 2M9
Tel.: 514 481-9191 / Fax.: 514 274-0284 / www.mcmintegration.com

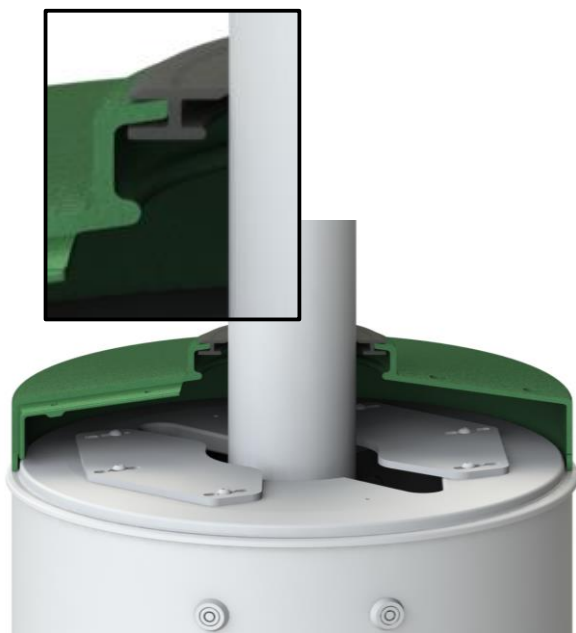
MCM™ Bolt cap / Decorative cap

Specification sheet CBX1 / Installation and components



MCM™ Bolt cap / Decorative cap Specification sheet CBX1 / Seal installation

1- Lamp post Ø4"



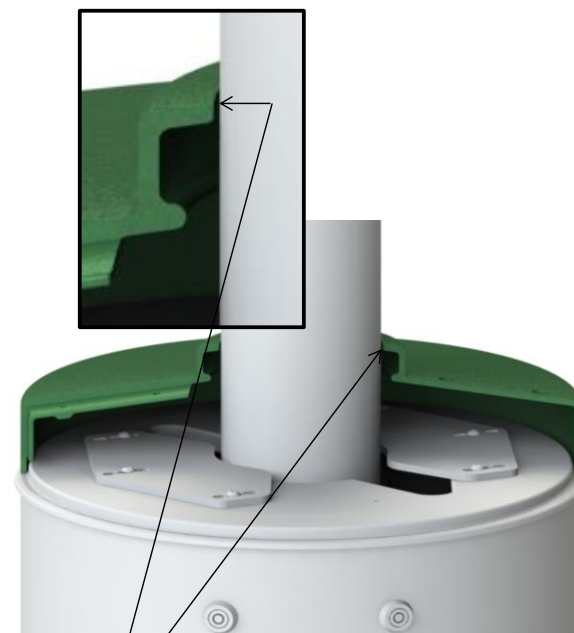
- 1- Apply sealant in the outside groove.*
- 2- Place half-seal in the half bolt cap.
- 3- Wipe away excess sealant.
- 4- Repeat for the other half bolt cap.

2- Lamp post Ø4.5"



- 1- Cut the upper lip.
- 2- Flip the half-seal so the short lip is towards the sky.
- 3- Apply sealant in the outside groove.*
- 4- Place half-seal in the half bolt cap.
- 5- Wipe away excess sealant.
- 6- Repeat for the other half bolt cap.

3- Lamp post Ø5"



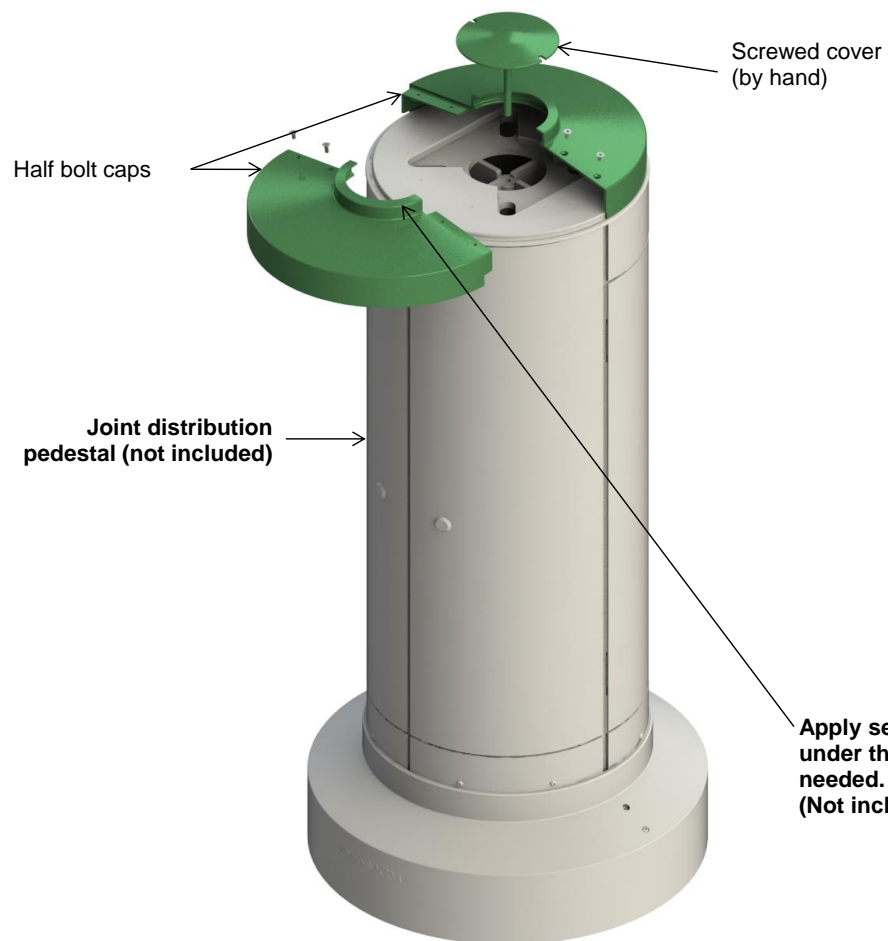
Apply sealant all around.
Wipe away excess sealant.

* We suggest applying sealant in this groove.



MCM™ Bolt cap / Decorative cap

Specification sheet CBX1 / Installation and components



Included components:

- 2 - Half bolt cap (A-1028)
- 1 - Screwed cover
- 2 - Stainless steel screw 1/4-20 x 1/2"

Key to unscrew the cover
(not included, order separately)



Apply sealant before installation, all around under the cover. Wipe away the surplus if needed.
(Not included: Clear Mulco Flextra sealant)